

1

2

3

4

A

A

B

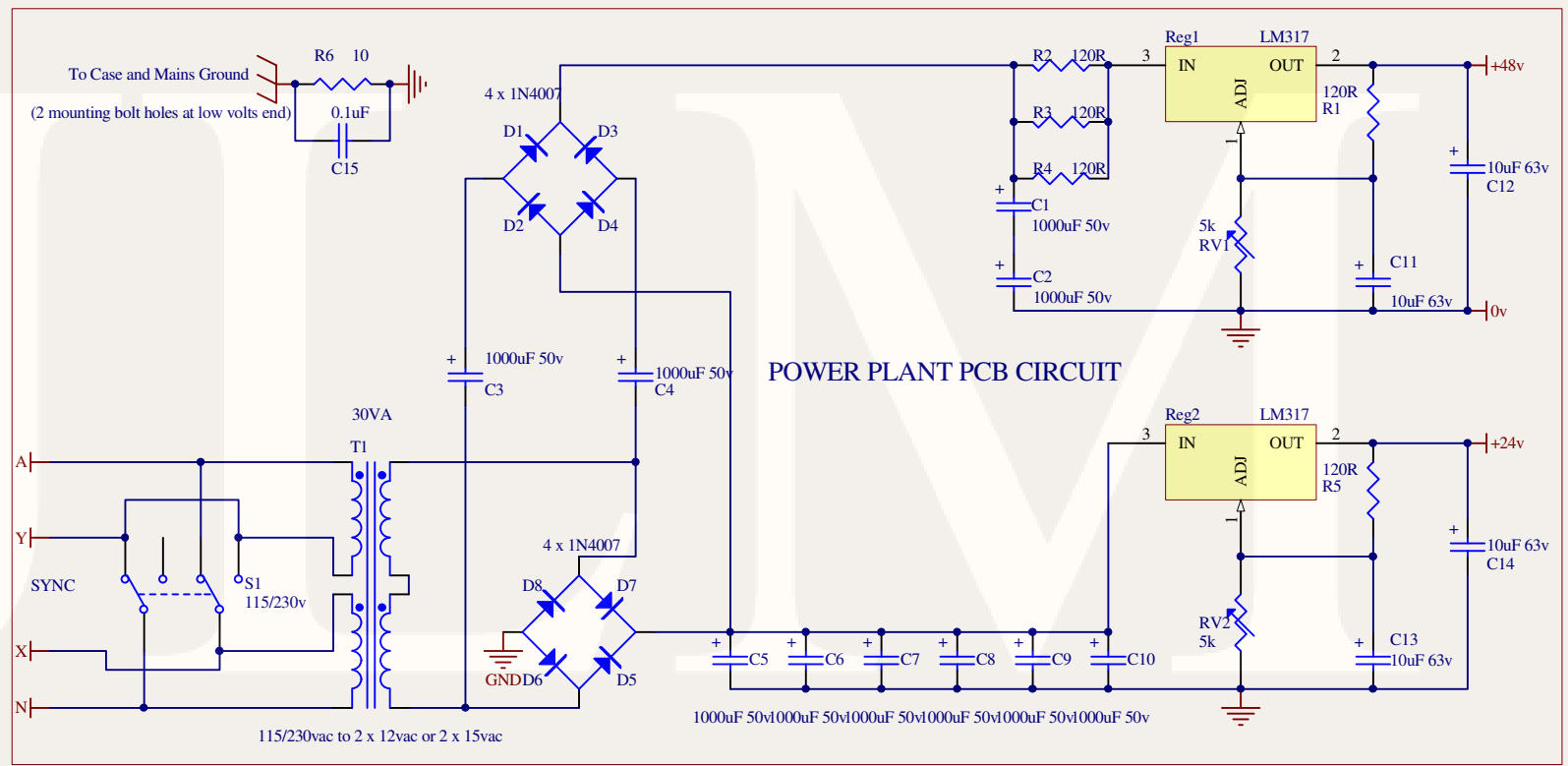
B

C

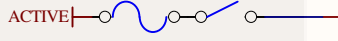
C

D

D



FIT EXTERNAL 500mA SLOW BLOW FUSE and POWER SWITCH in ACTIVE LINE



TO SYNC 115/230v switching with Multiple POWER PLANTS connect  
 All As to each other  
 All Ns to each other  
 All Xs to each other  
 All Ys to each other  
 And leave 115/230v voltage switches of all Slave POWER PLANT PCBs



**Notes**  
 Each type of Capacitors, Resistors and Diodes number top to bottom, left to right while DC terminals are closest to you.



[www.jlmaudio.com](http://www.jlmaudio.com)

Title		
<b>JLM POWER PLANT PCB</b>		
Size	Number	Revision
A4		A
Date:	20/05/2012	Sheet of 1
		Drawn By: Joe Malone

1

2

3

4